

# BADU® Professional

Circulation pumps, self priming

Groundbreaking and time-saving in replacements. Installing a replacement pump has never been so easy.

## Design

- Smooth running
- Low-wear materials
- Screws on the suction and pressure sides
- Bellow-type mechanical seal on a plastic protector
- Self-priming pump (assembly max. 2 m. above or max. 3 m. below the water level)

## Field of Application

The BADU Professional self-priming pool pump is a real all-rounder for private or public pool and pond units. Due to the flexible connection options and the large strainer tank, it is perfect for: above ground pools, partially submerged pools, built-in pools, swimming ponds fish ponds.

## Material Used

Pump casing .....PP GF 30  
 Housing cover .....PP TV 30  
 Impeller .....PA 66 GF 30/PP GF 30/PPE GF 30  
 Strainer basket .....PP  
 Lid .....PC, transparent/PP GF 30  
 Union with Glue sockets .....PVC-U  
 Mechanical seal .....carbon/ceramic/NBR  
 Motor shaft .....stainless steel  
 Screws .....galvanised steel/stainless steel

Pool technology	4	6	8	11	18	23	27	31	36
Inlet /outlet D (in)	1.5"/1.5"	1.5"/1.5"	1.5"/1.5"	1.5"/1.5"	2"/2"	2"/2"	2"/2"	2"/2"	2"/2"
Voltage (V) (1~)	230	230	230	230	230	230	230	230	230
Current (A)	1.4	1.7	2.6	2.9	4.7	6.4	7.4	8.8	14.4
Power Input/ Output (kW)	0.32/ 0.20	0.38/ 0.25	0.58/ 0.40	0.65/ 0.45	1.07/ 0.80	1.45/ 1.10	1.65/ 1.30	1.94/ 1.50	2.54/ 2.20
Weight (kg)	7	7	11	11	13	17	20	21	22

All motor are available in 3 phase as well

Technology data may vary

Article	Description	Flow Rate (Q at 8m)	Voltage (1~)	HorsePower(Hp)
1	BADU Professional 4	4	230	0.4
2	BADU Professional 6	6	230	0.5
3	BADU Professional 8	8	230	0.75
4	BADU Professional 11	11	230	1
5	BADU Professional 18	18	230	1.5
6	BADU Professional 23	23	230	2
7	BADU Professional 27	27	230	2.25
8	BADU Professional 31	31	230	2.5
9	BADU Professional 36	36	230	4

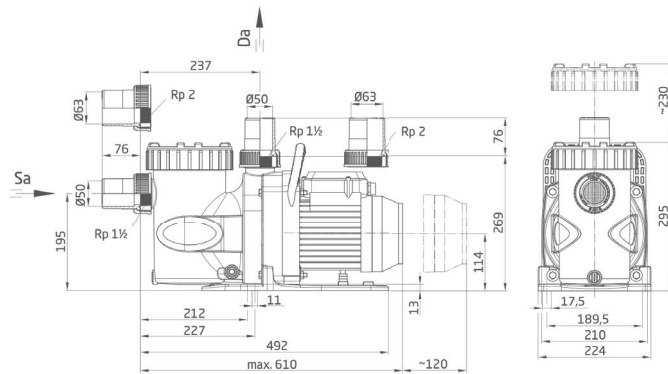
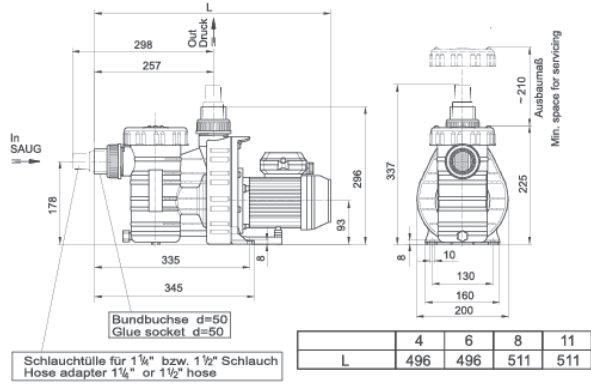
Q = Cubic Meter / Hour

Badu Pro 4-11

Badu Pro 18-36



Dimension



Performance

