

# BADU® PREMIUM

Circulating, Filtering pumps, self priming

Professional installer's favorite: featuring easy installation for new construction and replacement. Low running cost with quite operation. One of the most efficiency pump of this range.

## Design

- Quiet running
- Low wear materials
- Screws on suction and pressure sides
- Bellow type mechanical seal on plastic protector
- Self-priming pump

## Field of Application

The BADU Premium self-priming pool pump is the highest performer in its kind. It can be used in various application covering circulating pump for pool, water pond including filtering system.

## Material Used

Pump casing .....PP GF 30  
 Housing .....PP TV 30  
 Impeller .....PA 66 GF/PP GF 30  
 Strainer basket .....PP  
 Lid .....PC transparent  
 Union and Glue sockets ..... PVC-U/ABS  
 Mechanical seal .....CARBON/CERAMIC/NBR  
 Motor shaft .....stainless steel  
 Screws .....galvanized steel/stainless steel

| Pool Technology   | 9     | 12    | 16    | 18    | 25    | 31    | 36    | 40    | 44    |
|-------------------|-------|-------|-------|-------|-------|-------|-------|-------|-------|
| Inlet/Outlet (in) | 2"/2" | 2"/2" | 2"/2" | 2"/2" | 2"/2" | 2"/2" | 2"/2" | 2"/2" | 2"/2" |
| Current (A)       | 1.8   | 2.9   | 3.5   | 4.7   | 6.4   | 7.4   | 7.4   | 10.1  | 12.6  |
| Power Input       | 0.40  | 0.65  | 0.85  | 1.07  | 1.45  | 1.65  | 1.94  | 2.5   | 2.90  |
| Power Output      | 0.30  | 0.45  | 0.65  | 0.80  | 1.10  | 1.30  | 1.50  | 1.8   | 2.20  |
| Weight (kg)       | 9.5   | 10.6  | 11.5  | 12.8  | 14.1  | 14.8  | 15.1  | 16.5  | 17.0  |

All motors are available in 3 phase

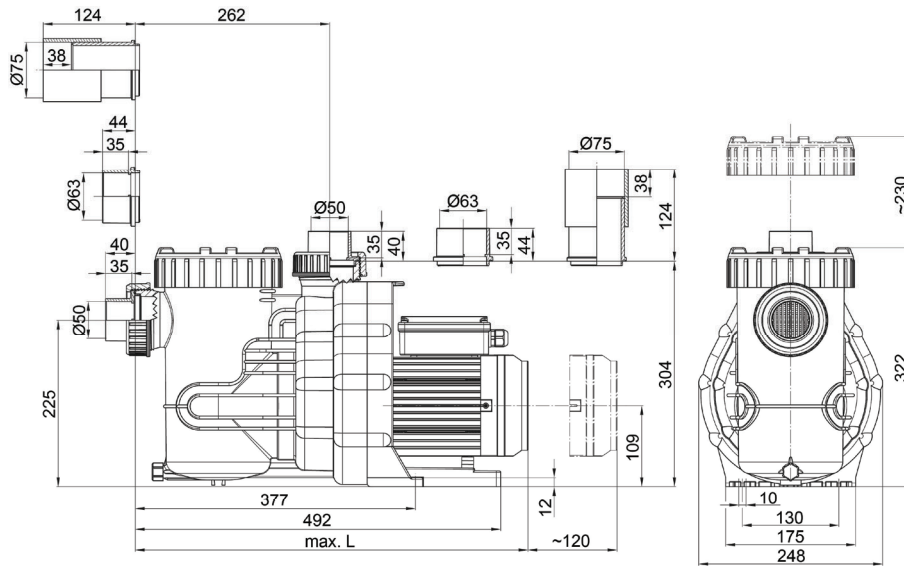
Techonology data may vary

| Description     | Flow Rate at 8 meter | Voltage 1 Phase, 50 Hz | Horse Power (Hp) | Sound level (in dB) |
|-----------------|----------------------|------------------------|------------------|---------------------|
| BADU Premium 9  | 9                    | 220-230                | 0.5              | 55.9 dB             |
| BADU Premium 12 | 12                   | 220-230                | 1.0              | 58.0 dB             |
| BADU Premium 16 | 16                   | 220-230                | 1.25             | 62.0 dB             |
| BADU Premium 18 | 18                   | 220-230                | 1.5              | 65.5 dB             |
| BADU Premium 25 | 25                   | 220-230                | 2.0              | 65.5 dB             |
| BADU Premium 31 | 31                   | 220-230                | 2.25             | 65.6 dB             |
| BADU Premium 36 | 36                   | 220-230                | 2.5              | 65.7 dB             |
| BADU Premium 40 | 40                   | 220-230                | 3.0              | 65.8 dB             |
| BADU Premium 44 | 44                   | 220-230                | 4.0              | 70.2 dB             |

# BADU PREMUI 9-44



## Dimension



## Performance

