

BADU® Classic

Circulation pumps, non-self priming

Connection variant for BADU Classic universal circulation pump. For whirlpools, bathtub, counter swim units and swimming pool attractions.

Design

The bellow-type mechanical seal is mounted on a plastic shaft protector sleeve. Motor/pump shaft has no contact with the pool water providing complete electrical separation.

Field of Application

Swimming pools and industrial filter units, counter swim units, air conditioning units, swimming pool attractions, cleaning devices and many more applications up to a flow rate of 60 m³/h.

Material Used

Pump casingPP TV 40/PPE GF 30
 Housing cover..... PP GF/15PPE GF 30
 ImpellerPPE GF 30/PP GF 30
 Union with Glue sockets ABS
 Mechanical seal carbon/ceramic/NBR
 Motor shaft stainless steel
 Screwsgalvanised steel/Stainless Steel/Brass
 Elastomers NBR/viton

Pool technology	5	10	16	22	28	32	40	60
Inlet /outlet D (in)	2"/1.5"	2"/1.5"	2"/1.5"	2"/1.5"	2"/1.5"	2"/1.5"	4"/4"	4"/4"
Voltage (V) (50HP)	230	230	230	230	230	230	230	230
Rated Current (A)	1.7	3.2	3.8	4.7	6.4	8.8	9.5	13.0
Power Input/Output (kW)	0.38/0.25	0.65/0.45	0.87/0.65	1.07/0.80	1.45/1.10	1.94/1.50	2.11/1.60	2.90/2.20
Weight (kg)	7	7	8	10	12	18	18	20

All motor are available in 3 phase as well

Technology data may vary

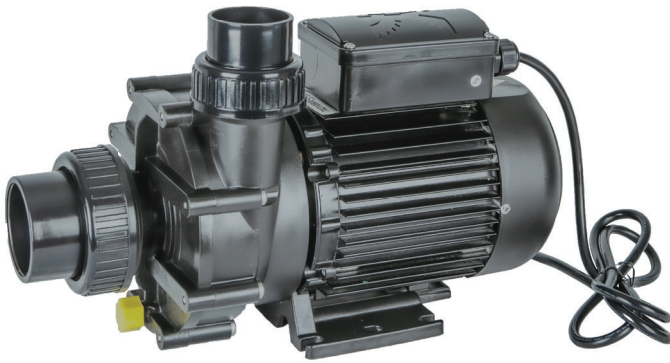
Article	Description	Flow Rate (Q at 8m)	Voltage (1~)	HorsePower(Hp)
1	BADU Classic 5	5	220-230	1/2
2	BADU Classic 10	10	220-230	3/4
3	BADU Classic 16	16	220-230	1
4	BADU Classic 22	22	220-230	1.5
5	BADU Classic 28	28	220-230	2
6	BADU Classic 32	32	220-230	2.5
7	BADU Classic 40	40	220-230	3
8	BADU Classic 60	60	220-230	4

Q = Cubic Meter / Hour

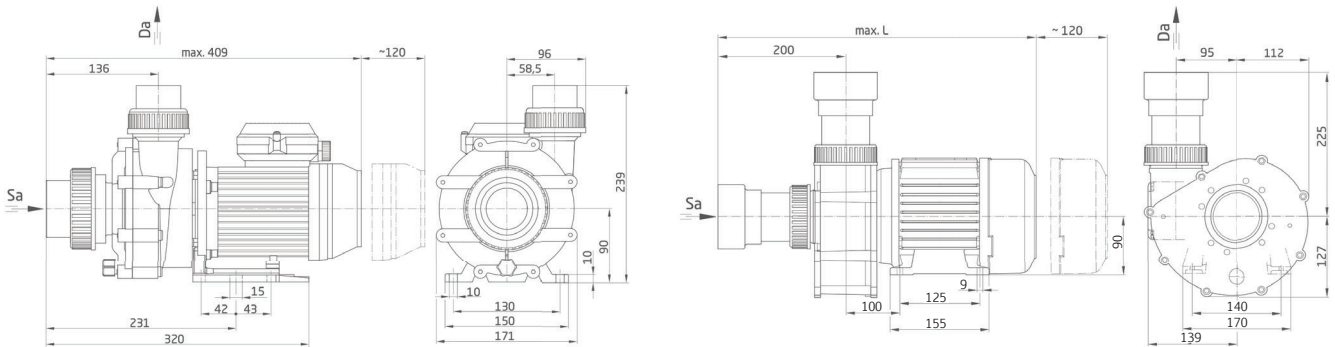


BADU Classic 5-32

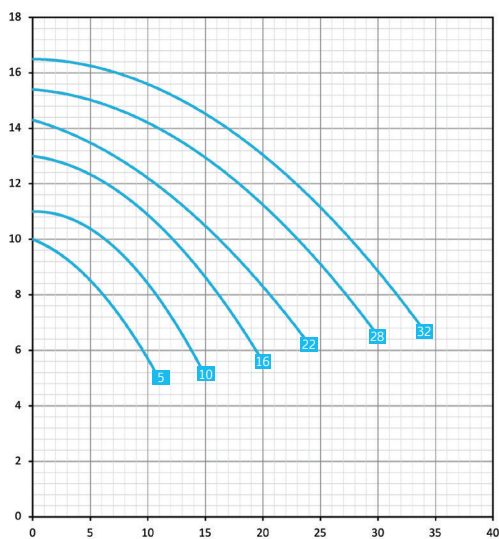
BADU Classic 40-60



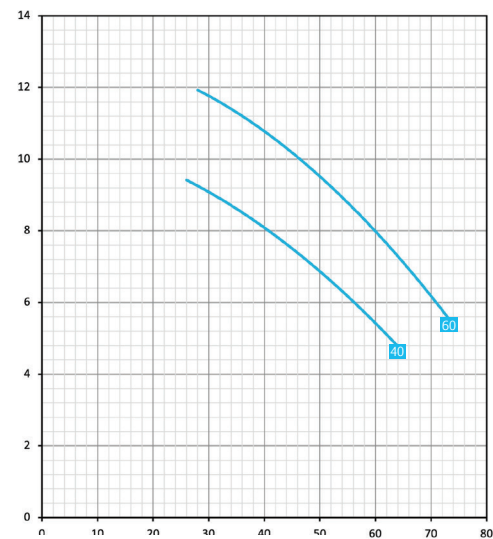
Dimension



Performance



Total dynamic head H (m) / Flow rate Q (m³/h)



Total dynamic head H (m) / Flow rate Q (m³/h)